

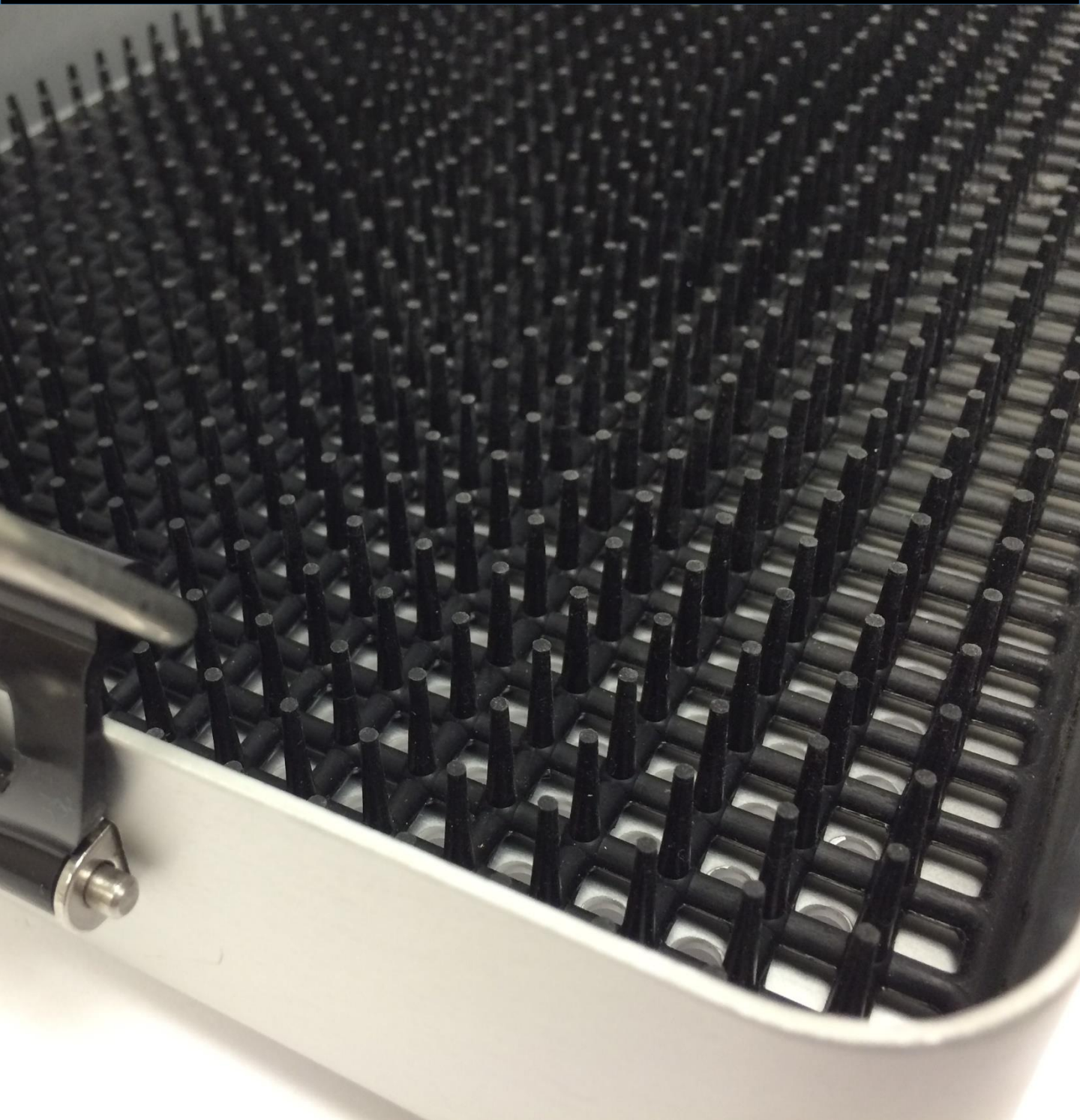


ContainMed, Inc.

Innovation Inside and Out

5391 W. 86th Street
Indianapolis, IN 46268
www.containmed.com
317.487.8800
team@containmed.com

Silicone Finger Mat



Cases • Trays • Implant Caddies

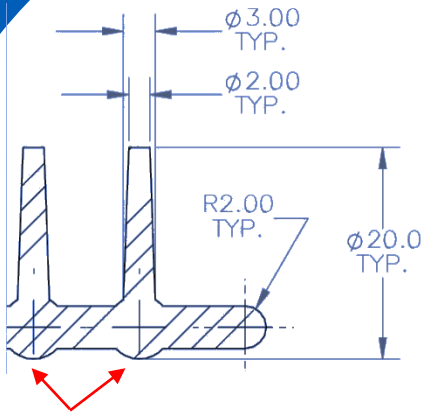
Contact ContainMed • team@containmed.com • 317.487.8800



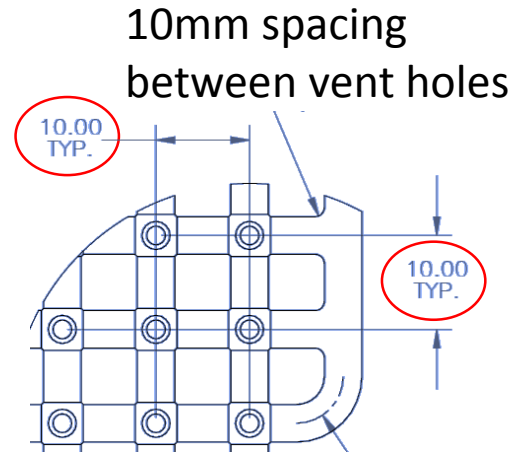
Silicone Finger Mat

Finger Mats

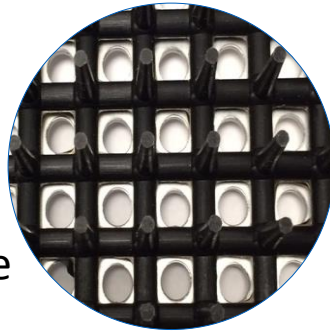
Constructed using medical grade silicone rated to 10,000 hours of continuous prevacuum steam sterilization



20mm height from base to finger tips



Orbital base under each individual finger lifts mat off of case surface to prevent pooling of moisture and promote faster drying



Unobstructed vent hole compatibility with ContainMed case architecture

- 504 x 244 x 20mm mat dimensions
- Rounded corners and finished borders
- Easily cut to size with scissors or razor blade
- Available in blue or black

